

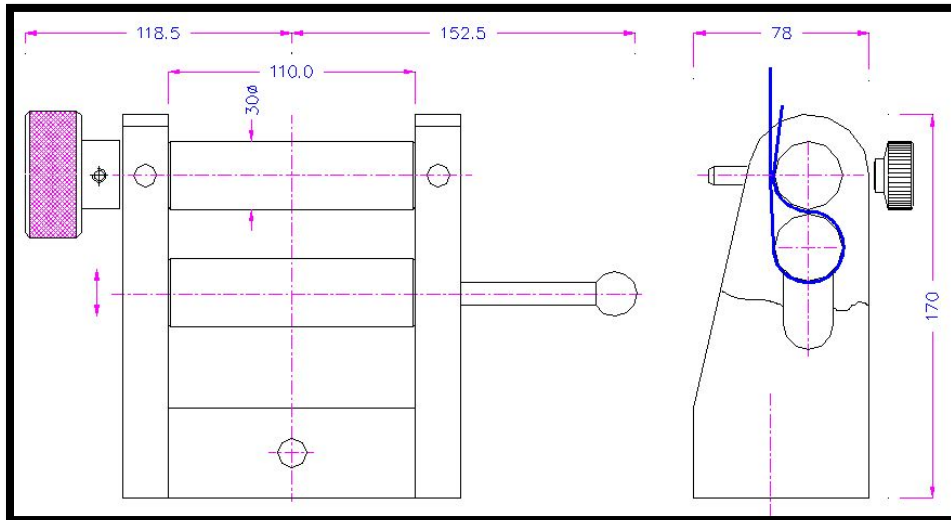
Webbing and Ribbon

Webbing, strapping and ribbon grips

A range of grips with a split-C design which allows the user to wrap the sample around a self tightening roller, the action of feeding the sample back upon itself by winding the sample in to the grip also aids the sample gripping force. Samples can be manually pre-tensioned before a test starts

Steel hardened, phosphate coated
Temperature Range 0 to +130° C

Part Number	Description	Maximum Sample Width	Quantity	Rating	Fixing	Weight
01/4629	Twin roller ribbon and webbing grip	110mm	Pair	50kN	1 ¼ inch	



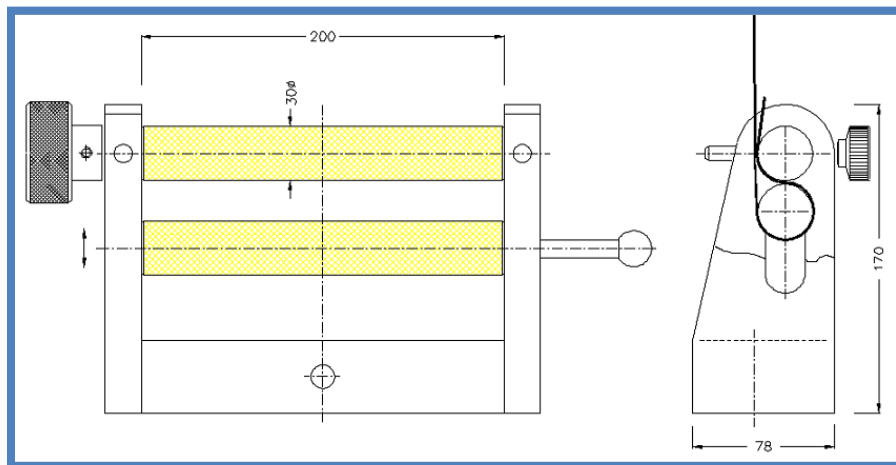
Webbing and Ribbon

Webbing, strapping and ribbon grips

A range of grips with a split-C design which allows the user to wrap the sample around a self tightening roller, the action of feeding the sample back upon itself by winding the sample in to the grip also aids the sample gripping force. Samples can be manually pre-tensioned before a test starts

Steel hardened, phosphate coated
Temperature Range 0 to +130° C

Part Number	Description	Maximum Sample Width	Quantity	Rating	Fixing
01/4630	Twin roller ribbon and webbing grip	200mm	Pair	50kN	1 ¼ inch



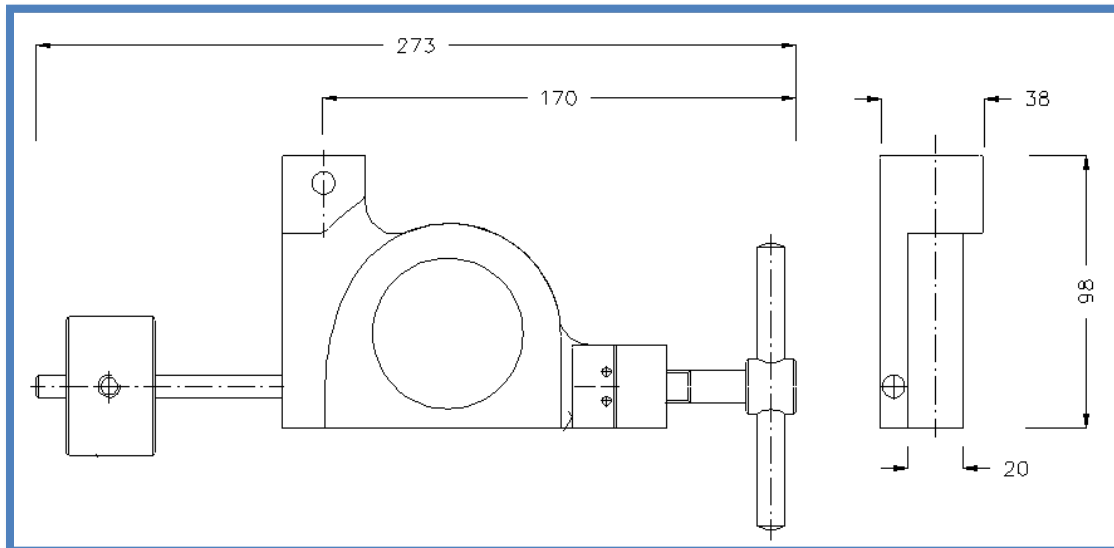
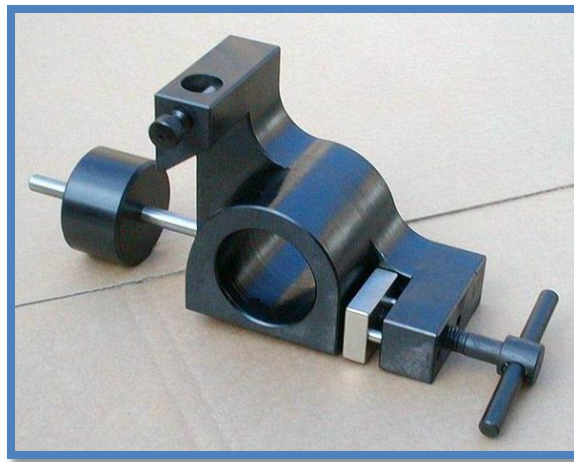
Webbing and Ribbon

Webbing, strapping and ribbon grips

A range of grips with bollard which allows the user to wrap the sample around a roller, this helps to spread the load over the bollard to reduce breakage in the jaw face
The top grip only has a counter balance weight

Steel hardened, phosphate coated
Temperature Range 0 to +130° C

Part Number	Description	Maximum Sample Width	Quantity	Rating	Fixing
01/4630	Single roller ribbon and webbing grip	200mm	Pair	50kN	1 ¼ inch



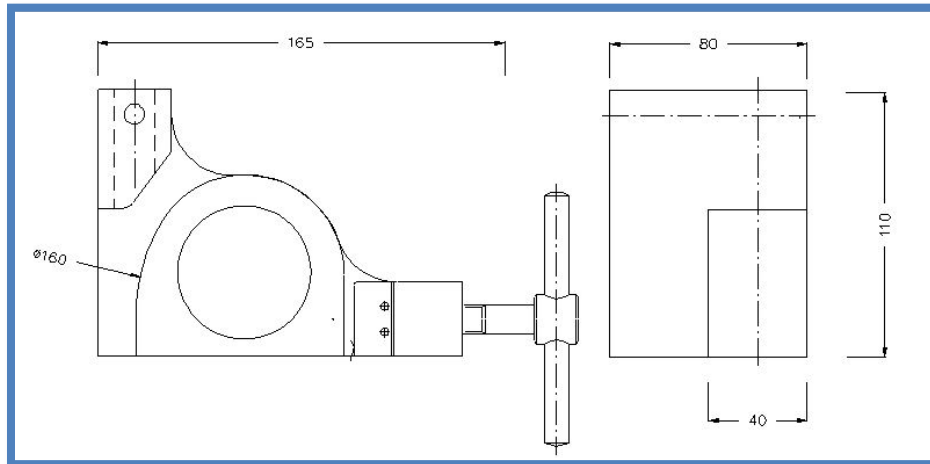
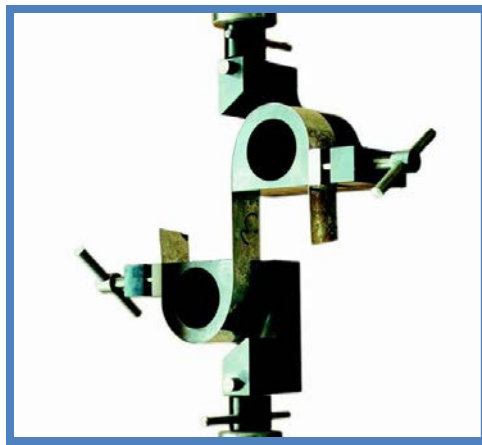
Webbing and Ribbon

Webbing, strapping and ribbon grips

A range of grips with bollard which allows the user to wrap the sample around a roller, this helps to spread the load over the bollard to reduce breakage in the jaw face

Steel hardened, phosphate coated
Temperature Range 0 to +130° C

Part Number	Description	Maximum Sample Width	Quantity	Rating	Fixing
01/4632	Single bollard with screw action vice	40mm	Pair	20kN	5/8 inch



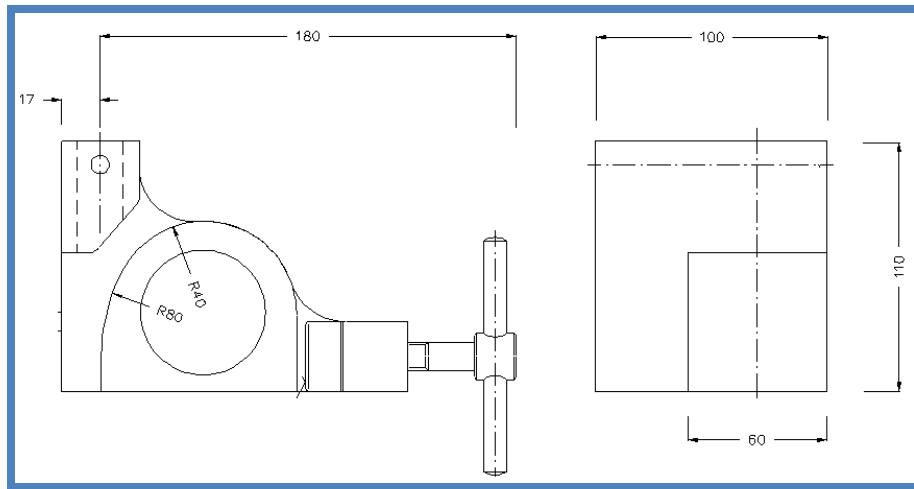
Webbing and Ribbon

Webbing, strapping and ribbon grips

A range of grips with bollard which allows the user to wrap the sample around a roller, this helps to spread the load over the bollard to reduce breakage in the jaw face

Steel hardened, phosphate coated
Temperature Range 0 to +130° C

Part Number	Description	Maximum Sample Width	Quantity	Rating	Fixing
01/4633	Single bollard with screw action vice	60mm	Pair	20kN	5/8 inch



Webbing and Ribbon

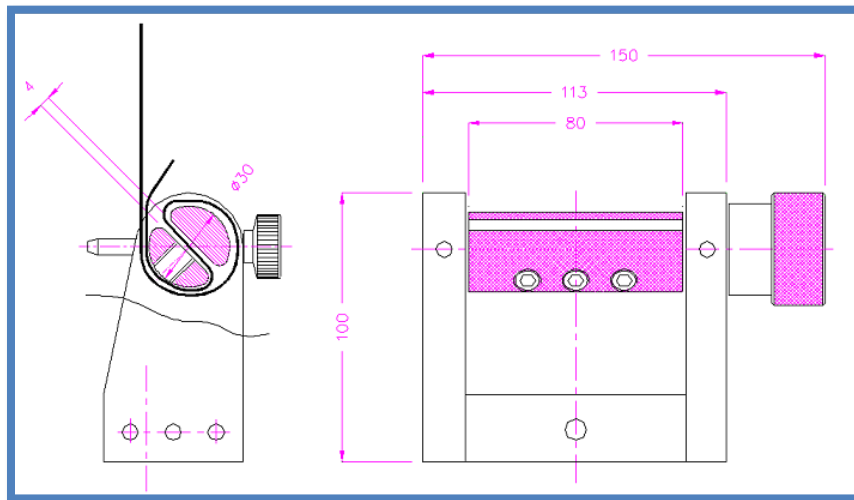
Webbing, strapping and ribbon grips

A range of grips with a split-C design which allows the user to wrap the sample around a self tightening roller, the action of feeding the sample back upon itself by winding the sample in to the grip also aids the sample gripping force. Samples can be manually pre-tensioned before a test starts

Steel hardened, phosphate coated
Temperature Range 0 to +130° C

Part Number	Description	Maximum Sample Width	Quantity	Rating	Fixing
01/4634	Split C, with roller locking and sample tightening, 30mm Ø	80mm	Pair	20kN	5/8 inch

Note; sample length must be > 400mm



Webbing and Ribbon

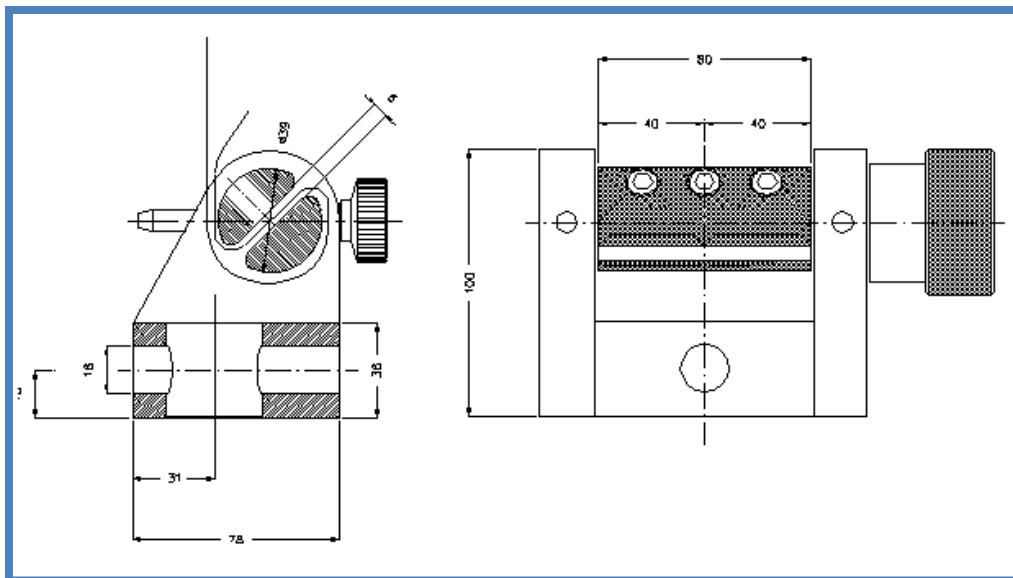
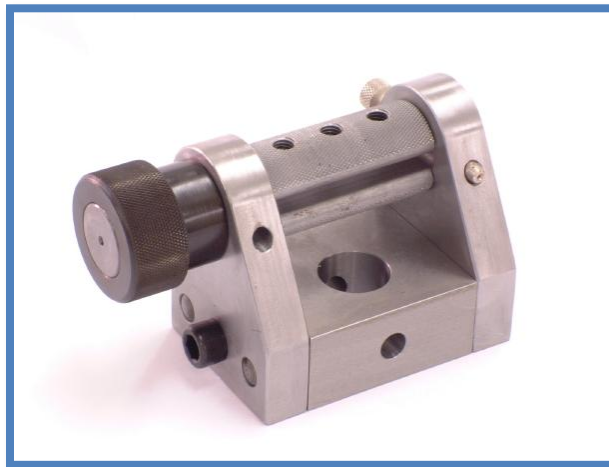
Webbing, strapping and ribbon grips

A range of grips with a split-C design which allows the user to wrap the sample around a self tightening roller, the action of feeding the sample back upon itself by winding the sample in to the grip also aids the sample gripping force. Samples can be manually pre-tensioned before a test starts

Steel hardened, phosphate coated
Temperature Range 0 to +130° C

Part Number	Description	Maximum Sample Width	Quantity	Rating	Fixing
01/4635	Split C, with roller locking and sample tightening, 40mm Ø	80mm	Pair	50kN	1 ¼ inch

Note; Sample must be >400mm



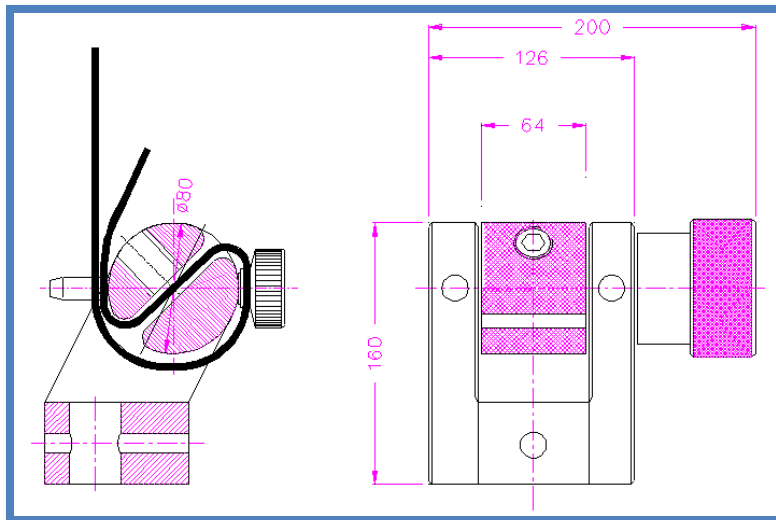
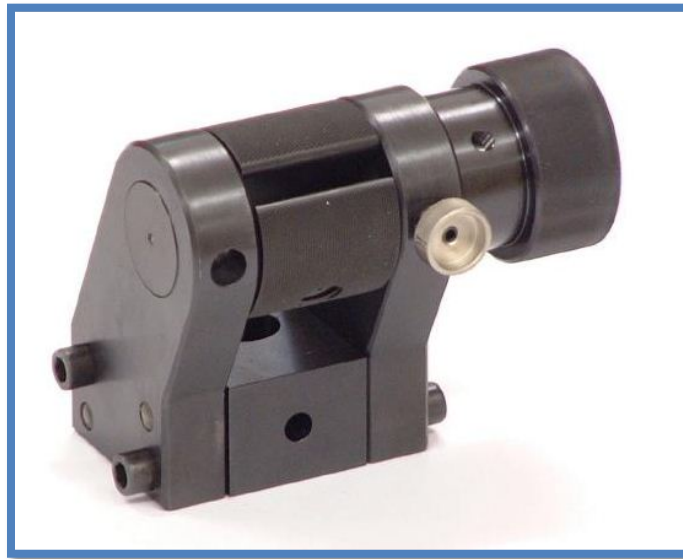
Webbing and Ribbon

Webbing, strapping and ribbon grips

A range of grips with a split-C design which allows the user to wrap the sample around a self tightening roller, the action of feeding the sample back upon itself by winding the sample in to the grip also aids the sample gripping force. Samples can be manually pre-tensioned before a test starts

Steel hardened, phosphate coated
Temperature Range 0 to +130° C

Part Number	Description	Maximum Sample Width	Quantity	Rating	Fixing
01/4636	Split C, with roller locking and sample tightening, 60mm Ø	80mm	Pair	100kN	1 ¼ inch



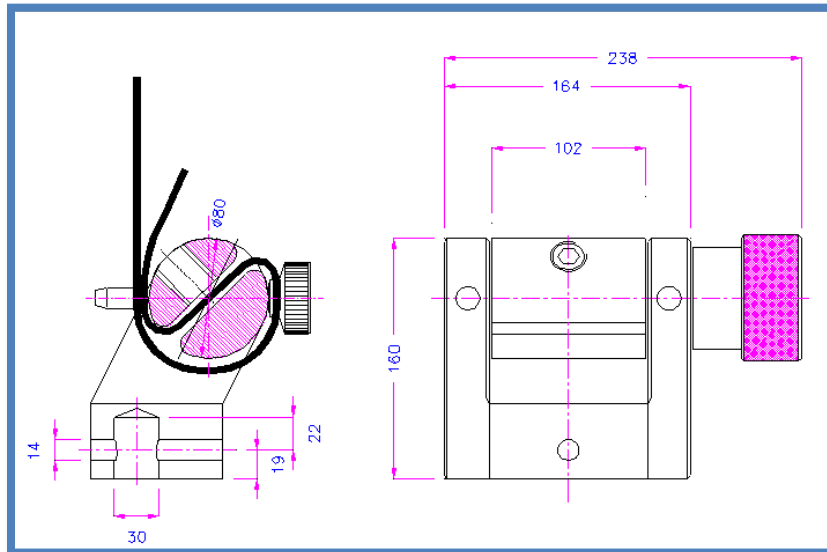
Webbing and Ribbon

Webbing, strapping and ribbon grips

A range of grips with a split-C design which allows the user to wrap the sample around a self tightening roller, the action of feeding the sample back upon itself by winding the sample in to the grip also aids the sample gripping force. Samples can be manually pre-tensioned before a test starts

Steel hardened, phosphate coated
Temperature Range 0 to +130° C

Part Number	Description	Maximum Sample Width	Quantity	Rating	Fixing
01/4637	Split C, with roller locking and sample tightening, 80mm Ø	100mm	Pair	100kN	1 ¼ inch



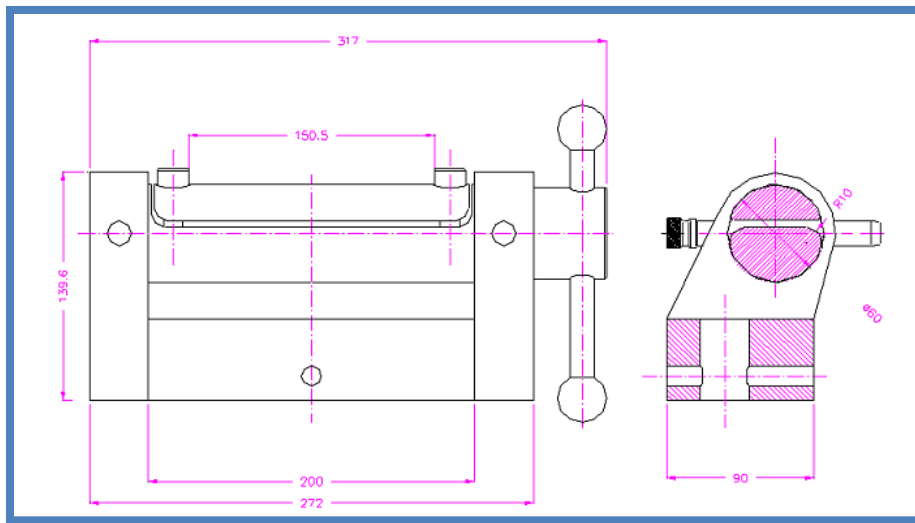
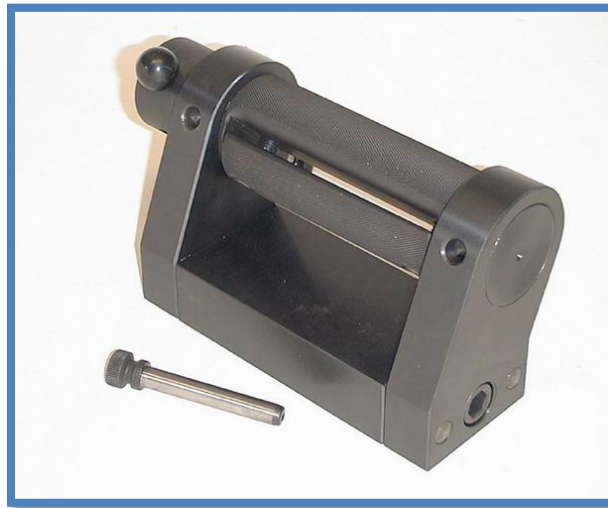
Webbing and Ribbon

Webbing, strapping and ribbon grips

A range of grips with a split-C design which allows the user to wrap the sample around a self tightening roller, the action of feeding the sample back upon itself by winding the sample in to the grip also aids the sample gripping force. Samples can be manually pre-tensioned before a test starts

Steel hardened, phosphate coated
Temperature Range 0 to +130° C

Part Number	Description	Maximum Sample Width	Quantity	Rating	Fixing
01/4639	Split C, with moveable counter jaw and lever tightening	150mm	Pair	20kN	5/8 inch



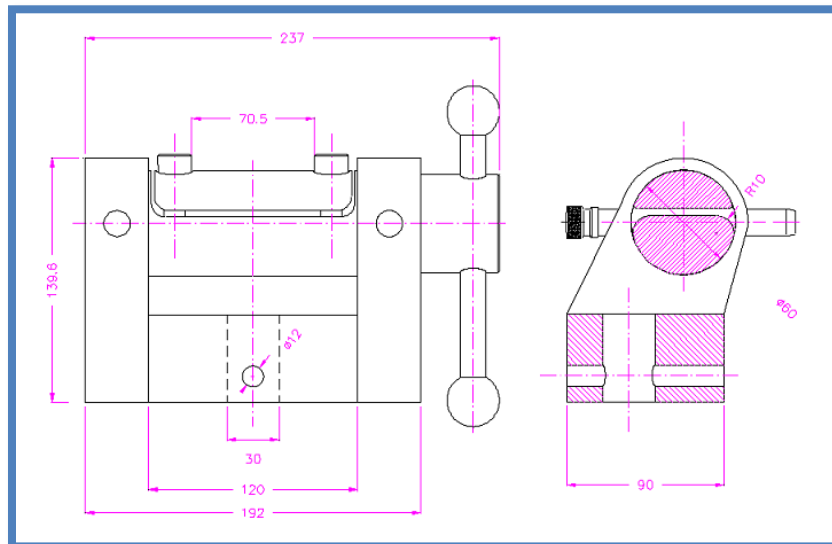
Webbing and Ribbon

Webbing, strapping and ribbon grips

A range of grips with a split-C design which allows the user to wrap the sample around a self tightening roller, the action of feeding the sample back upon itself by winding the sample in to the grip also aids the sample gripping force. Samples can be manually pre-tensioned before a test starts

Steel hardened, phosphate coated
Temperature Range 0 to +130° C

Part Number	Description	Maximum Sample Width	Quantity	Rating	Fixing
01/4641	Split C, with moveable counter jaw and lever tightening	70mm	Pair	50kN	1 ¼ inch



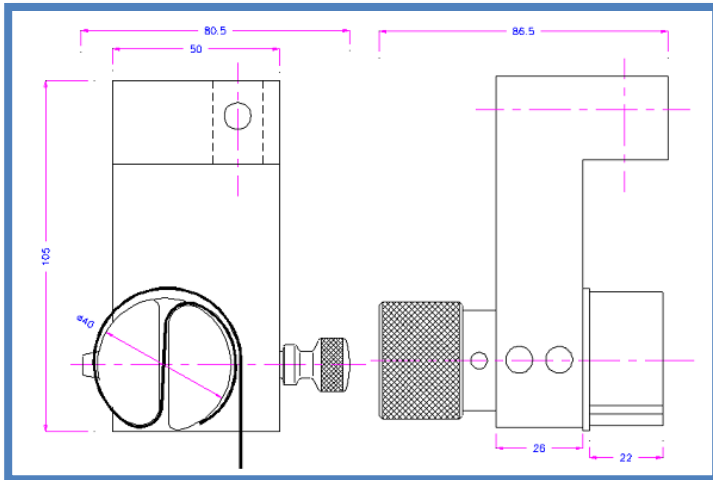
Webbing and Ribbon

Webbing, strapping and ribbon grips

A range of grips with a split-C design which allows the user to wrap the sample around a self tightening roller, the action of feeding the sample back upon itself by winding the sample in to the grip also aids the sample gripping force. Samples can be manually pre-tensioned before a test starts

Steel hardened, phosphate coated
Temperature Range 0 to +130° C

Part Number	Description	Maximum Sample Width	Quantity	Rating	Fixing
01/4642	Ribbon grip with 40mm Ø roller, sample up to 2.5mm thick	22mm	Pair	1kN	5/8 inch



Webbing and Ribbon

Webbing, strapping and ribbon grips

A range of grips with a split-C design which allows the user to wrap the sample around a self tightening roller, the action of feeding the sample back upon itself by winding the sample in to the grip also aids the sample gripping force. Samples can be manually pre-tensioned before a test starts

Steel hardened, phosphate coated
Temperature Range 0 to +130° C

Part Number	Description	Maximum Sample Width	Quantity	Rating	Fixing
01/4643	Ribbon grip with 40mm Ø roller, sample up to 2.5mm thick	25mm	Pair	1kN	5/8 inch

